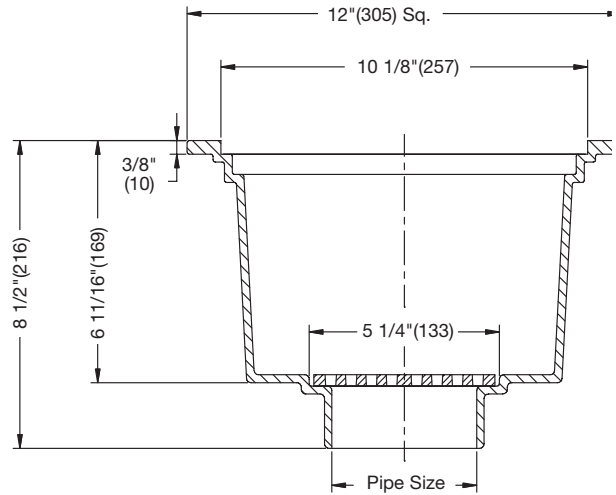


## Specialty Floor Drains

### FD-830 Hopper Drain

Model Number	Weight (lbs.)	Str. Size	Pipe Size	Material	List Price
FD-832, 3, 4	27	5 1/4"	2,3,4"	cast iron	\$802.50



#### Options for FD-830 Series

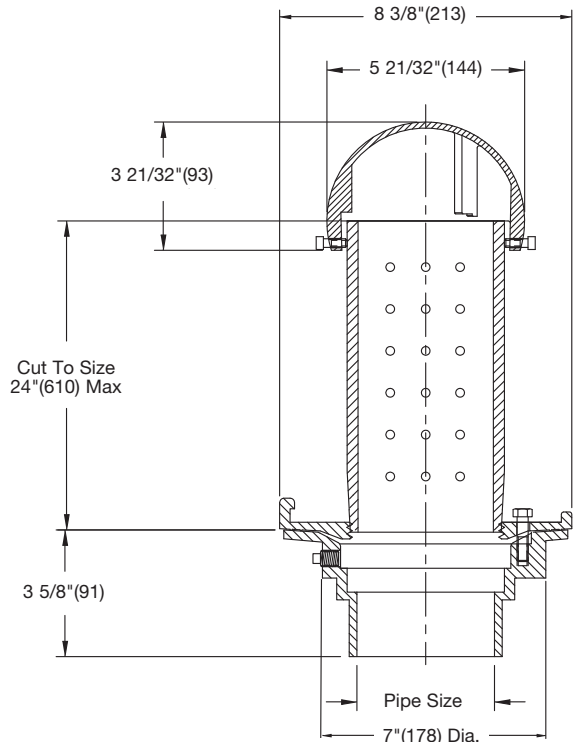
Suffix	Description	List Price
-1	Nickel Bronze Top	\$399.00
-5	Sediment Bucket	239.50
-7	Trap Primer Tapping	150.00
-TG	Top Grate - Ductile Iron	194.00

### FD-850 Planting Area Drain with Dome Cap

Model Number	Weight (lbs.)	Str. Type	Pipe Size	List Price
FD-852, 3, 4	11	Domed Standpipe	2,3,4"	\$930.50



Note: Funnels are ordered separately.  
See page 63 for details.



#### Options for FD-850 Series

Suffix	Description	List Price
P	Push On	No Add
-13	All Galvanized	\$391.50
-60	PVC Body w/Socket Outlet	No Add
-61	ABS Body w/Socket Outlet	No Add
-B	Sump Receiver	256.00
-D	Underdeck Clamp	149.00
-F	Deck Flange/Adj. Extension	500.00
-SO	Side Outlet	218.00
-T	Threaded Outlet	80.00

Consult factory for all applications outside of listed parameters.  
Prices do not include applicable taxes.

